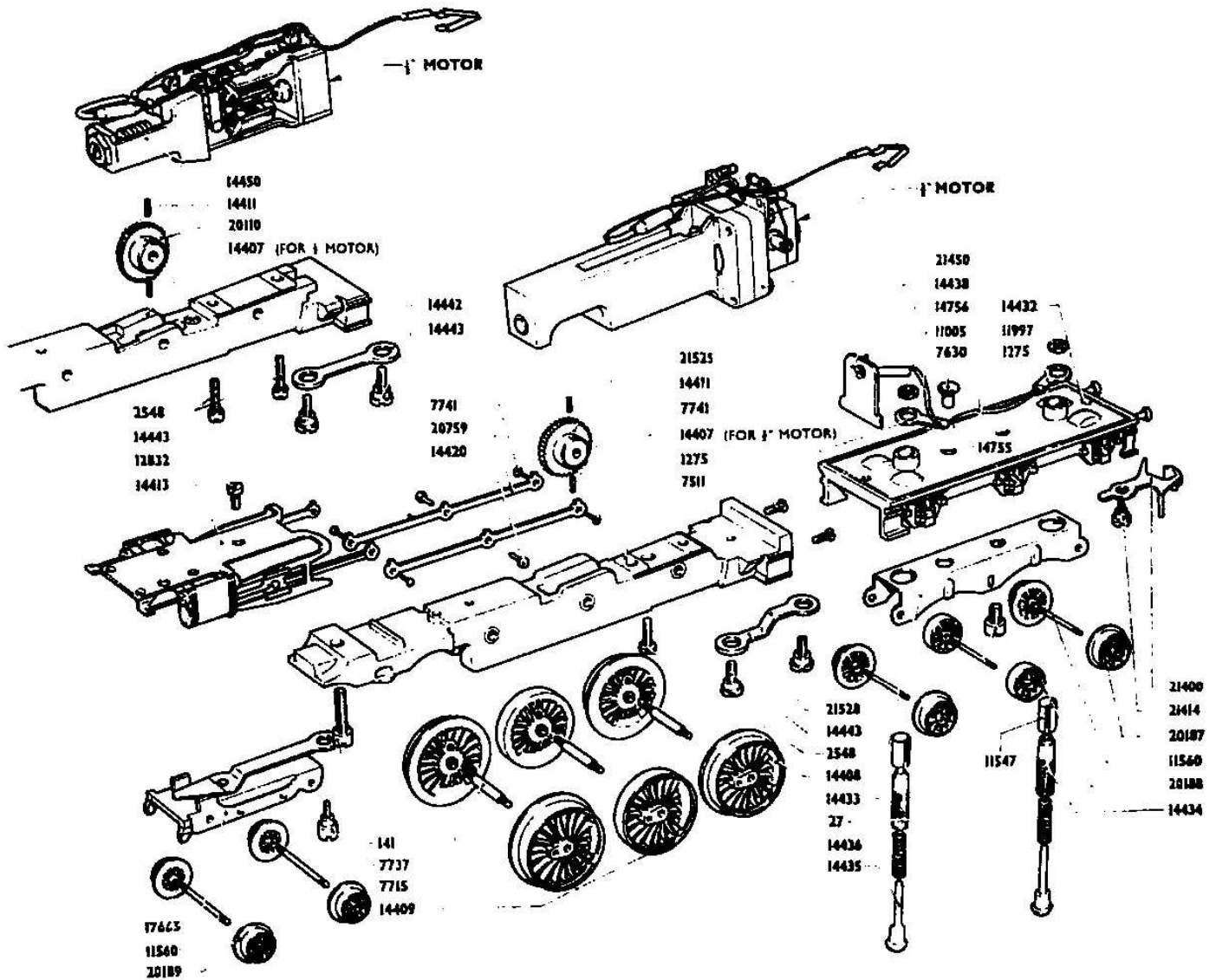




4-6-0 CASTLE CLASS LOCOMOTIVE AND TENDER 3-RAIL
No. 3220 ORIGINAL TYPE WITH 1/2" MOTOR—No. 3221 MODIFIED TYPE WITH 3/4" MOTOR



- | | | |
|-------|-----------------------------------|---|
| 141 | Screw | } Front Bogie
Assembly
Job No.
12377 |
| 2548 | Screw | |
| 7511 | Screw | |
| 7715 | Axle | |
| 7737 | Screw | |
| 7741 | Coupling Rod Pin | } Front Bogie
Assembly
Job No.
12377 |
| 11560 | Axle | |
| 17665 | Bogie & Bracket Assembly | |
| 20189 | Wheel | |
| 12832 | Screw | |
| 14407 | Chassis (for Motor Job No. 21450) | } Insulator Assembly
Job No. 14438 |
| 14408 | Wheel with Flange | |
| 14409 | Wheel without Flange | |
| 14411 | Grub Screw | |
| 14413 | Cylinder Assembly | |
| 14420 | Connecting Rod Pin | |
| 14443 | Screw | |
| 20759 | Coupling Rod | |
| 21450 | Motor Assembly | |
| 21525 | Worm Wheel | |

TENDER

- | | |
|-------|---------------|
| 27 | Screw |
| 1275 | Soldering Tag |
| 7630 | Rivet |
| 11005 | P.V.C. Sleeve |
| 11547 | Insulator |

- | | | |
|-------|-----------------------|--|
| 11560 | Axle | } Underframe
Assembly
Job No.
17833 |
| 14433 | Underframe | |
| 20187 | Wheel with Flange | } Underframe
Assembly
Job No.
17833 |
| 20188 | Wheel without Flange | |
| 11997 | Washer | } Insulator Assembly
Job No. 14438 |
| 14432 | Chassis | |
| 14434 | Collector Shoe Holder | |
| 14435 | Collector Shoe | |
| 14436 | Spring | |
| 14439 | Insulator | |
| 14440 | Eyelet | |
| 14443 | Screw | |
| 14755 | Connecting Wire | |
| 14756 | Connecting Wire | |
| 21400 | Coupling | |
| 21414 | Rivet | |
| 21528 | Drawbar | |

For 1/2" MOTOR—ITEMS AS STATED, EXCEPT FOR:—

- | | |
|-------|-----------------------------------|
| 14407 | Chassis (For Motor Job No. 14450) |
| 14442 | Drawbar |
| 14450 | Motor Assembly |
| 20110 | Worm Wheel |

ASSEMBLIES

- | | |
|-------|----------------------------------|
| 14392 | Housing Assembly |
| 14406 | Chassis Assembly (with motor) |
| 18447 | Chassis Assembly (without motor) |