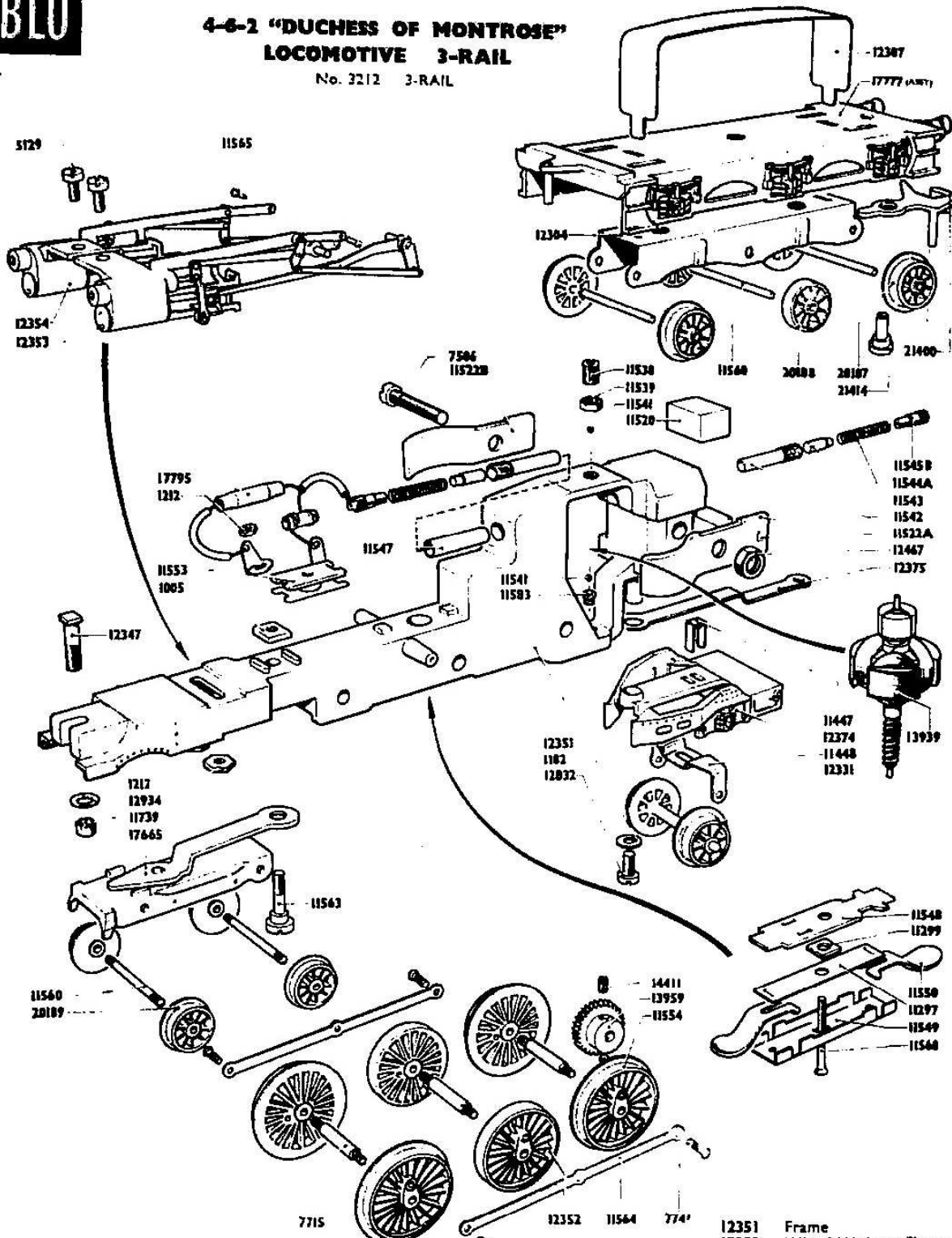


**4-6-2 "DUCHESS OF MONTROSE"
LOCOMOTIVE 3-RAIL**
No. 2212 3-RAIL



- 1005 Nut
- 1182 Washer
- 1183 Soldering Tag
- 11009 P.V.C. Sleeve
- 11019 P.V.C. Sleeve
- 11499 Earthing Plate
- 14482 Condenser
- 11545A Plug for Brush Holder
- 13929 Choke
- 1212 Nut
- 5129 Screw
- 7506 Screw
- 7715 Axle
- 7741 Coupling Rod Pin
- 11297 Collector Shoe Spring
- 11299 Distance Piece
- 11447 Clip
- 11448 Axle Bracket
- 12331 Wheels and Axle
- 12374 Frame
- 11520 Magnet Block
- 11522A Pole Piece L.H.
- 11522B Pole Piece R.H.
- 11538 Adjustable Bearing Housing Assembly

Condenser
Assembly
Job No.
17795

Pony Truck
Assembly
Job No.
12373

- 11539 Locking Nut
- 11541 Ball Bearing
- 11542 Brush Holder
- 11543 Brush
- 11544A Brush Spring
- 11545B Plug for Brush Holder (Without Boss)
- 11547 Insulator for Brush Holder
- 11548 Insulator for Collector Shoe Holder
- 11549 Collector Shoe Holder
- 11550 Collector Shoe
- 11553 Insulator
- 11554 Wheel with Flange
- 11560 Axle
- 17665 Front Bogie & Bracket Assembly
- 20189 Wheel
- 11563 Stud
- 11564 Coupling Rod
- 11565 Pin
- 11568 Special Screw
- 11583 Bottom Bearing
- 11739 Nut
- 12347 Front Stud

Front Bogie
Assembly
Job No. 12377

- 12351 Frame
- 12352 Wheel Without Flange
- 12353 Cylinder Assembly L.H.
- 12354 Cylinder Assembly R.H.
- 12375 Rear Coupling Link
- 12467 Nut
- 12832 Screw
- 12934 Washer
- 13939 Armature Shaft Assembly
- 13959 Worm Wheel
- 14411 Grub Screw

ASSEMBLIES
12341 Housing Assembly
12350 Chassis Assembly Complete

- TENDER**
- 11560 Axle
- 12304 Underframe
- 20187 Wheel With Flange
- 20188 Wheel Without Flange
- 12302 Base
- 12303 Front Coupling Pin
- 12307 Support for Coal
- 21400 Coupling
- 21414 Rivet

Underframe
Assembly
Job No.
17522
Base & Pin
Assembly
Job No. 17777