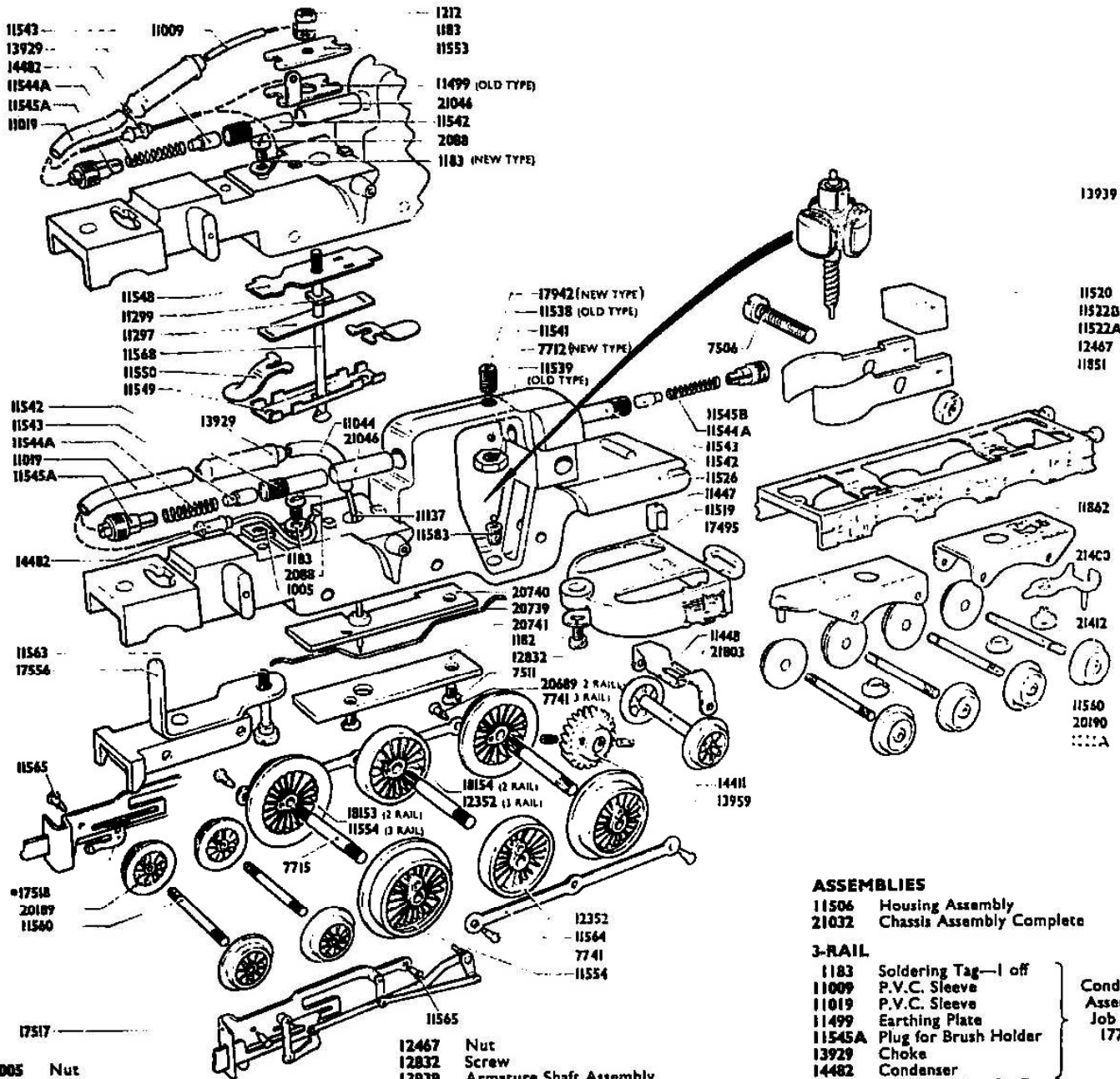


4-6-2 STREAMLINED LOCOMOTIVE 2-RAIL & 3-RAIL

No. 2211 2-RAIL No. 3211 3-RAIL



- 1005 Nut
- 1182 Washer
- 2088 Screw
- 7506 Screw
- 7712 Locking Nut
- 7715 Axle
- 7741 Coupling Rod Pin
- 11447 Clip
- 11448 Axle Bracket
- 11519 Pony Truck
- 21803 Wheels & Axle
- 11520 Magnet Block
- 11522A Pole Piece L.H.
- 11522B Pole Piece R.H.
- 11526 Frame
- 11538 Adjustable Bearing Housing Assembly (Old Type)
- 11539 Lock Nut (Old Type)
- 11541 Ball Bearing
- 11542 Brush Holder
- 11543 Brush
- 11544A Brush Spring
- 11545B Plug for Brush Holder
- 11554 Wheel with Flange
- 11560 Axle
- 17556 Frame & Bracket Assembly
- 20189 Wheel
- 11563 Stud
- 11564 Coupling Rod
- 11565 Pin
- 11583 Bottom Bearing
- 12352 Wheel without Flange

Pony Truck Assembly Job No. 11518

Bogie Assembly Job No. 11557

- 12467 Nut
- 12832 Screw
- 13939 Armature Shaft Assembly
- 13959 Worm Wheel
- 14411 Grub Screw
- 17517 Valve Gear Assembly (R.H.)
- 17518 Valve Gear Assembly (L.H.)
- 17942 Adjustable Bearing Housing Assembly (New Type)
- 21046 Insulating Sleeve

2-RAIL

- 1183 Soldering Tag
- 11019 P.V.C. Sleeve
- 11044 P.V.C. Sleeve
- 11545A Plug for Brush Holder
- 13929 Choke
- 14482 Condenser
- 7511 Screw
- 11137 Connecting Wire
- 20689 Coupling Rod Pin
- 20690 Insulating Bush
- 20696 Wheel with Flange—insulated
- 20690 Insulating Bush
- 20697 Wheel without Flange—insulated
- 20739 Wire Collector
- 20740 Base for Collector
- 20741 Cover for Collector

Condenser Assembly Job No. 18004

Wheel with Flange (with Insulating Bush) Assembly Job No. 18153

Wheel without Flange (with Insulating Bush) Assembly Job No. 18154

ASSEMBLIES

- 11506 Housing Assembly
- 21032 Chassis Assembly Complete

3-RAIL

- 1183 Soldering Tag—1 off
- 11009 P.V.C. Sleeve
- 11019 P.V.C. Sleeve
- 11499 Earthing Plate
- 11545A Plug for Brush Holder
- 13929 Choke
- 14482 Condenser
- 1183 Soldering Tag—2 off
- 11009 P.V.C. Sleeve
- 11019 P.V.C. Sleeve
- 11545A Plug for Brush Holder
- 13929 Choke
- 14482 Condenser
- 1212 Nut
- 11297 Collector Shoe Spring
- 11299 Distance Piece
- 11548 Insulator for Collector Shoe Holder
- 11549 Collector Shoe Holder
- 11550 Collector Shoe
- 11553 Insulator
- 11568 Special Screw

Condenser Assembly Job No. 17795

Condenser Assembly Job No. 18527

ASSEMBLIES

- 11506 Housing Assembly
- 11525 Chassis Assembly Complete

TENDER—2 & 3 RAIL

- 1066A Eyelet
- 11560 Axle
- 17495 Front Bogie & Pin Assembly
- 20190 Wheel
- 11360 Axle
- 11862 Rear Bogie
- 20190 Wheel
- 21400 Coupling
- 21412 Rivet
- 11831 Base

Front Bogie Assembly Job No. 11858

Rear Bogie Assembly Job No. 11861