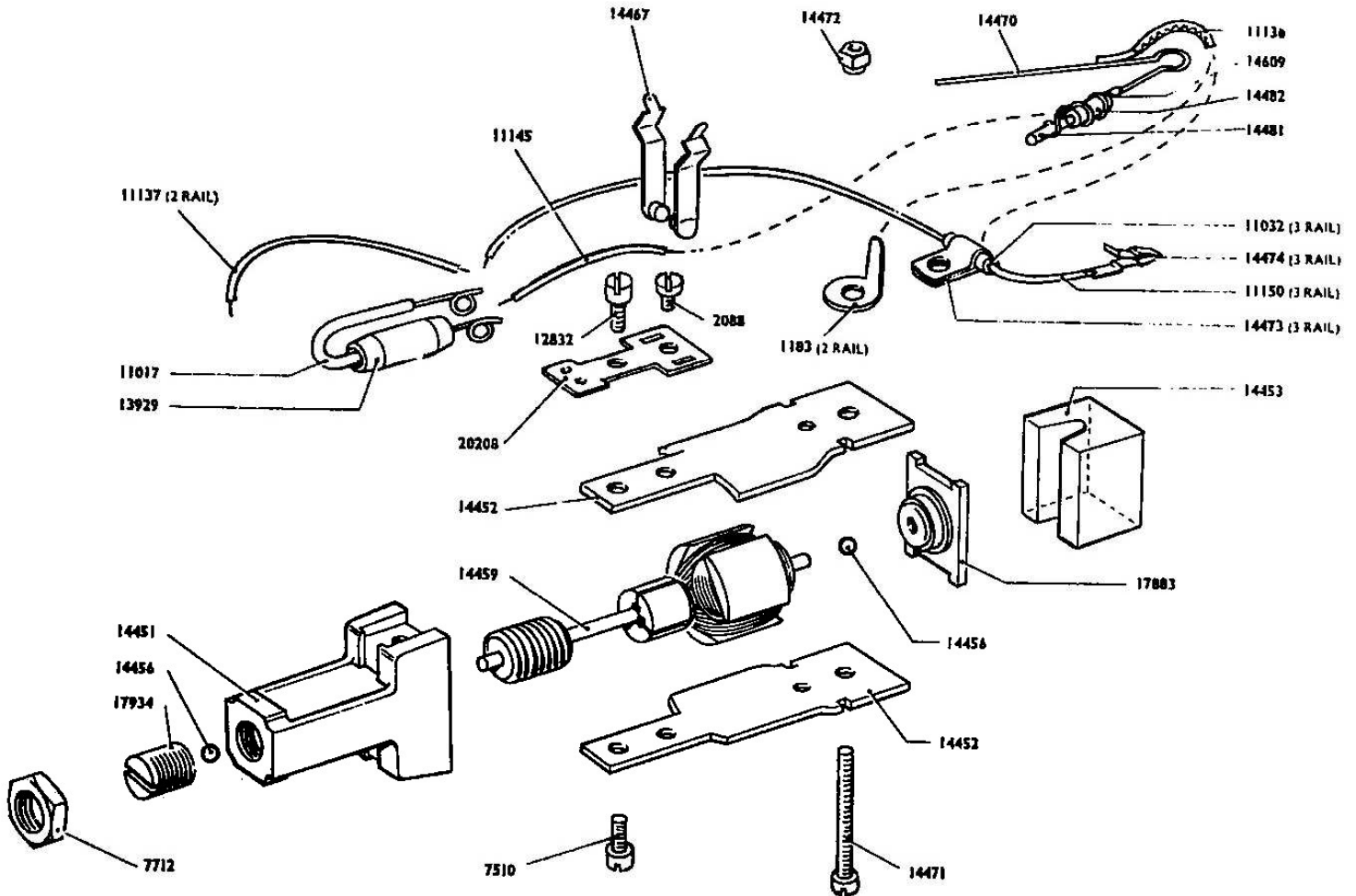


## HORNBY-DUBLO $\frac{1}{4}$ " MOTOR 2 AND 3-RAIL

LOCOMOTIVES Nos. 2206 AND 2207 2-RAIL — LOCOMOTIVES Nos. 3220 AND 3225 3-RAIL



2088	Screw
7510	Screw
7712	Locking Nut
11017	P.V.C. Sleeve
11136	Tinned Copper Braid
11145	Connecting Wire
12832	Screw
13929	Choke
14451	Bearing Casting
14452	Pole Piece
14453	Magnet
14456	Ball Bearing
14459	Armature Shaft Assembly
14467	Brush Arm Assembly
14470	Brush Spring
14471	Screw
14472	Nut
14481	Copper Strip
14482	Condenser
14609	Cambric Sleeve
17883	Fixed Bearing Support Assembly
17934	Adjustable Bearing Housing Assembly
20208	Insulator for Brush Arms

<b>2-RAIL</b>	
1183	Soldering Tag
11137	Connecting Wire

<b>3-RAIL</b>	
11032	P.V.C. Sleeve
11150	Connecting Wire
14473	Clamp for Wire
14474	Plug